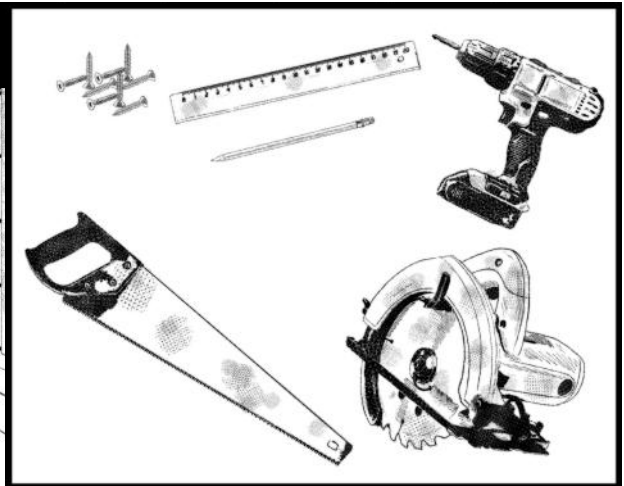
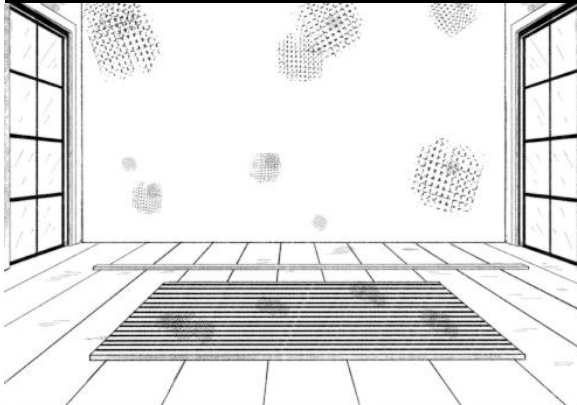


# Panel installment guide

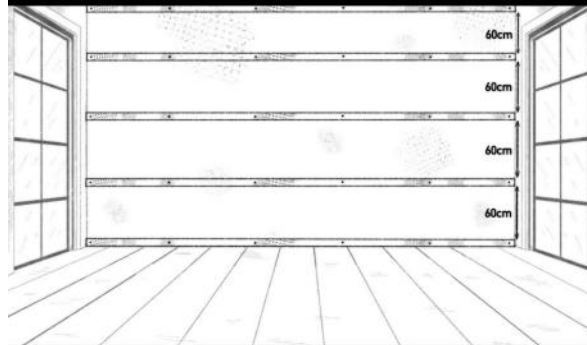
## Step 1

Tools you will need for installation



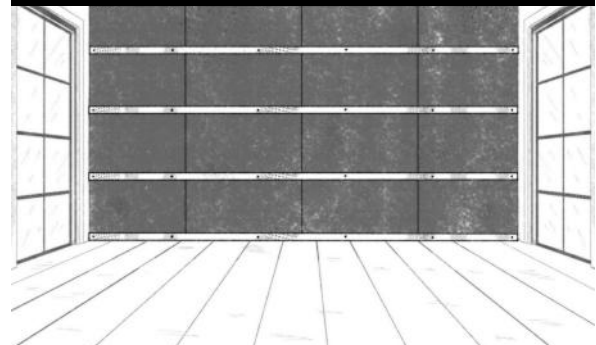
## Step 2

Mount the underlying battens:



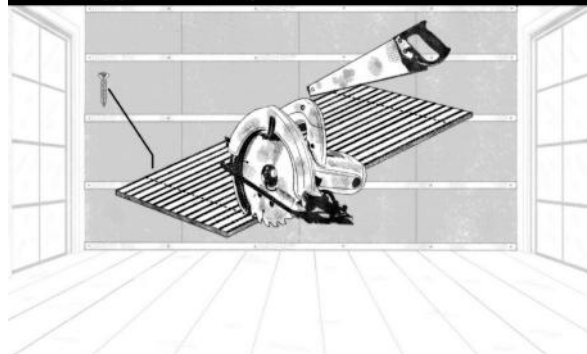
## Step 3

Insert mineral wool in between the battens:



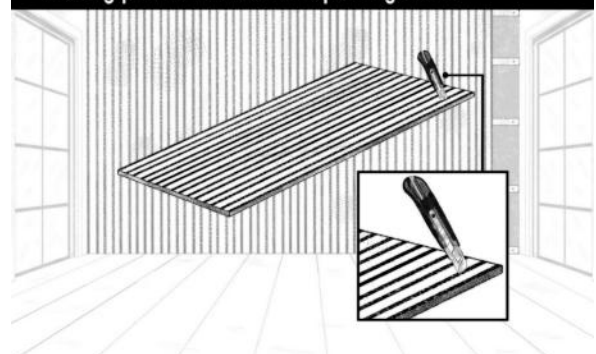
## Step 4

Cutting panels to height:



## Step 5

Cutting panels to width and placing them:



**Final result**

